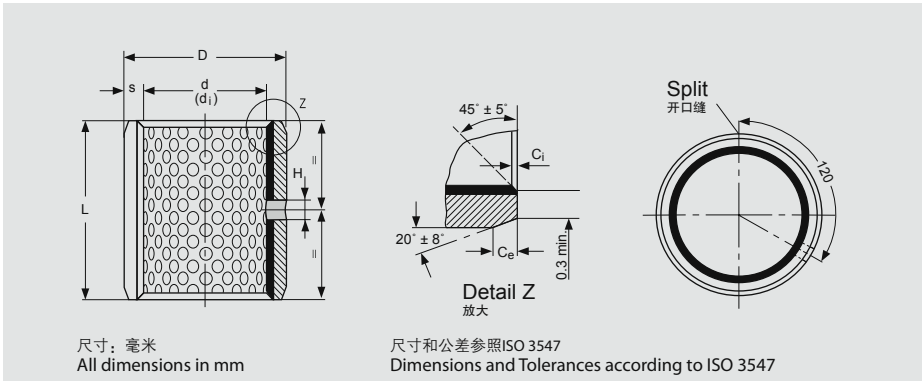




5.8 EX 直套规格及公差 EX Sleeve Bushing Specification & Tolerance



内外倒角尺寸表 Inside & Outside Chamfers

壁厚 Wall thickness S	内倒角 Inside Chamfer C _i	外倒角 Outside Chamfer C _e
1.00	0.30 ± 0.20	0.60 ± 0.40
1.50	0.40 ± 0.30	0.60 ± 0.40
2.00	0.40 ± 0.30	1.20 ± 0.40
2.50	0.60 ± 0.30	1.80 ± 0.60

直套型号标注方式 Bushing Symbol

直套型号标注方式 Bushes Symbol	EX - □	× ×	× ×
直套型号 Bushing Type			
直套内径 Bushing I.D.			
直套高度 Bushing Length			

内径 Internal Diameter			外径 External Diameter			高度 Length	壁厚 Wall Thickness	油孔直径 Oil Hole-Φ H	型号 Part No
内径 d	装配轴径 Shaft-Φ d _s	装配后内径 Φ d _i	外径 D	装配座孔 Housing-Φ D _H	理论外径公差 O.D. Φ D _t	ID<80 L ± 0.25 ID>80 L ± 0.50	S		
10	10.000 9.978	10.108 10.040	12	12.018 12.000		10	0.980 0.955	3	EX 1010
						12		4	EX 1012
						15		4	EX 1015
						20		4	EX 1020
12	12.000 11.973	12.108 12.040	14	14.018 14.000		10	0.980 0.955	3	EX 1210
						12		4	EX 1212
						15		4	EX 1215
						20		4	EX 1220
14	14.000 13.973	14.108 14.040	16	16.018 16.000		25	0.980 0.955	4	EX 1225
						15		4	EX 1415
						20		4	EX 1420
15	15.000 14.973	15.108 15.040	17	17.018 17.000		25	0.980 0.955	4	EX 1425
						10		3	EX 1510
						12		4	EX 1512
						15		4	EX 1515
						20		4	EX 1520
						25		4	EX 1525



内径 Internal Diameter			外径 External Diameter			高度 Length	壁厚 Wall Thickness	油孔直径 Oil Hole-Φ H	型号 Part No
内径 d	装配轴径 Shaft-Φd _s	装配后内径 Φd _i	外径 D	装配座孔 Housing-ΦD _H	理论外径公差 O.D. ΦD _t	ID<80 L ± 0.25 ID>80 L ± 0.50	S		
16	16.000 15.973	16.108 16.040	18	18.018 18.000	+0.065 +0.030	15	0.980 0.955	4	EX 1615
						20			EX 1620
						25			EX 1625
18	18.000 17.973	18.111 18.040	20	20.021 20.000	+0.075 +0.035	15			EX 1815
						20			EX 1820
						25			EX 1825
20	20.000 19.967	20.131 20.050	23	23.021 23.000	+0.075 +0.035	10	1.475 1.445	6	EX 2010
						15			EX 2015
						20			EX 2020
						25			EX 2025
22	22.000 21.967	22.131 22.050	25	25.021 25.000	+0.075 +0.035	30			EX 2030
						15			EX 2215
						20			EX 2220
						25			EX 2225
25	25.000 24.967	25.131 25.050	28	28.021 28.000	+0.075 +0.035	30			EX 2230
						15			EX 2515
						20			EX 2520
						25			EX 2525
28	28.000 27.967	28.155 28.060	32	32.025 32.000	+0.085 +0.045	30	EX 2530		
						20	EX 2820		
						25	EX 2825		
30	30.000 29.967	30.155 30.060	34	34.025 34.000	+0.085 +0.045	30	EX 2830		
						40	EX 3020		
						30	EX 3030		
32	32.000 31.961	32.155 32.060	36	36.025 36.000	+0.085 +0.045	20	EX 3040		
						30	EX 3220		
						35	EX 3230		
						40	EX 3235		
35	35.000 34.961	35.155 35.060	39	39.025 39.000	+0.085 +0.045	20	EX 3240		
						30	EX 3520		
						35	EX 3530		
						40	EX 3535		
						50	EX 3540		
									EX 3550



内径 Internal Diameter			外径 External Diameter			高度 Length	壁厚 Wall Thickness	油孔直径 Oil Hole- Φ H	型号 Part No	
内径 d	装配轴径 Shaft- Φd_s	装配后内径 Φd_i	外径 D	装配座孔 Housing- ΦD_H	理论外径公差 O.D. ΦD_t	ID<80 L \pm 0.25 ID>80 L \pm 0.50	S			
40	40.000 39.961	40.155 40.060	44	44.025 44.000		20	1.970 1.935		EX 4020	
						30			EX 4030	
						40			EX 4040	
						50			EX 4050	
45	45.000 44.961	45.195 45.080	50	50.025 50.000	+0.085 +0.045	25			EX 4520	
						30			EX 4530	
						40			EX 4540	
						45			EX 4545	
						50			EX 4550	
50	50.000 49.961	50.200 50.080	55	55.030 55.000		40		8	EX 5040	
						50			EX 5050	
						60			EX 5060	
55	55.000 54.954	55.200 55.080	60	60.030 60.000		20	2.460 2.415		EX 5520	
						25			EX 5525	
						30			EX 5530	
						40			EX 5540	
						50			EX 5550	
						60			EX 5560	
60	60.000 59.954	60.200 60.080	65	65.030 65.000		30			EX 6030	
						40			EX 6040	
						60			EX 6060	
65	65.000 64.954	65.262 65.100	70	70.030 70.000	+0.100 +0.055	70			EX 6070	
						40			EX 6540	
						50			EX 6550	
						60			EX 6560	
70	70.000 69.954	70.262 70.100	75	75.030 75.000		70		8	EX 6570	
						40			EX 7040	
						50			EX 7050	
						65			EX 7065	
75	75.000 74.954	75.262 75.100	80	80.030 80.000		70			EX 7070	
						80			EX 7080	
						40			EX 7540	
									9.5	EX 7560
										EX 7580



内径 Internal Diameter			外径 External Diameter			高度 Length	壁厚 Wall Thickness	油孔直径 Oil Hole-Φ H	型号 Part No
内径 d	装配轴径 Shaft-Φd _s	装配后内径 Φd _i	外径 D	装配座孔 Housing-ΦD _H	理论外径公差 O.D. ΦD _i	ID<80 L ± 0.25 ID>80 L ± 0.50	S		
80	80.000 79.954	80.267 80.100	85	85.035 85.000		40			EX 8040
						60			EX 8060
						80			EX 8080
						100			EX 80100
85	85.000 84.946	85.267 85.100	90	90.035 90.000		30			EX 8530
						40			EX 8540
						60			EX 8560
						80			EX 8580
90	90.000 89.946	90.267 90.100	95	95.035 90.000		100			EX 85100
						40			EX 9040
						60			EX 9060
						80			EX 9080
95	95.000 94.946	95.267 95.100	100	100.035 100.000	+0.120 +0.070	90			EX 9090
						100			EX 90100
						60			EX 9560
						100			EX95100
100	100.000 99.946	100.267 100.100	105	105.035 105.000		50	2.450 2.384	9.5	EX 10050
						60			EX 10060
						80			EX 10080
						95			EX 10095
105	105.000 104.946	105.267 105.100	110	110.035 110.000		115			EX 100115
						60			EX 10560
						110			EX 105110
						115			EX 105115
110	110.000 109.946	110.267 105.100	115	115.035 115.000		60			EX 11060
						110			EX 110110
						115			EX 110115
						60			EX 11550
115	115.000 114.946	115.267 115.100	120	120.035 120.000		70			EX 11570
						60			EX 12060
						100			EX 120100
						110			EX 120110
120	120.000 119.946	120.272 120.100	125	125.040 125.000	+0.170 +0.100	60			EX 12560
						100			EX 125100
						110			EX 125110
						60			EX 125110
125	125.000 124.937	125.272 125.000	130	130.040 130.000		100			EX 125100
						110			EX 125110
						110			EX 125110
						110			EX 125110



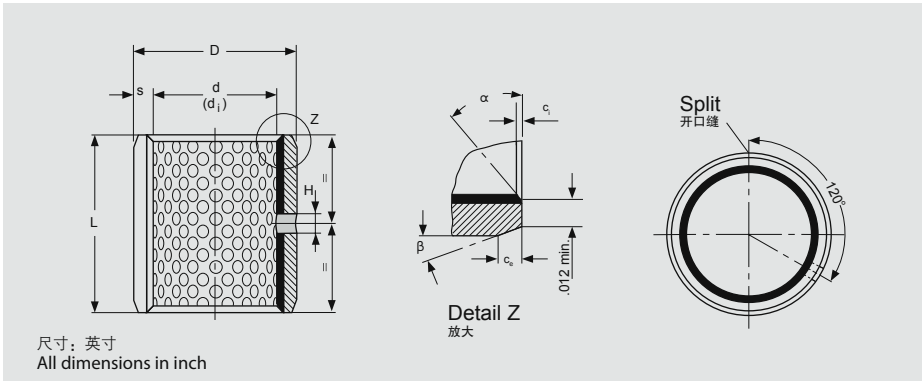
内径 Internal Diameter			外径 External Diameter			高度 Length	壁厚 Wall Thickness	油孔直径 Oil Hole-Φ H	型号 Part No
内径 d	装配轴径 Shaft-Φ d _s	装配后内径 Φ d _i	外径 D	装配座孔 Housing-Φ D _h	理论外径公差 O.D. Φ D _t	ID<80 L ± 0.25 ID>80 L ± 0.50	S		
130	130.000 129.937	130.280 130.130	135	135.040 135.000		50			EX 13050
						60			EX 13060
						80			EX 13080
						100			EX 130100
135	135.000 134.937	135.280 138.130	140	140.040 140.000		60			EX 13560
						80			EX 13580
140	140.000 139.937	140.280 140.130	145	145.040 145.000		50			EX 14050
						60			EX 14060
						80			EX 14080
						100			EX 140100
150	150.000 149.937	150.280 150.130	155	155.040 155.000	+0.170 +0.100	50			EX 15050
						60			EX 15060
						80			EX 15080
						100			EX 1501003
160	160.000 159.937	160.280 160.130	165	165.040 165.000		50			EX 16050
						60			EX 16060
						80			EX 16080
						100			EX 160100
170	170.000 169.937	170.280 170.130	175	175.040 175.000		50			EX 17050
						60			EX 17060
						80			EX 17080
						100			EX 170100
180	180.000 179.937	180.286 180.130	185	185.046 185.000		50			EX 18050
						60			EX 18060
						80			EX 18080
						100			EX 180100
190	190.000 189.928	190.286 190.130	195	195.046 195.000	+0.210 +0.130	50			EX 19050
						60			EX 19060
						80			EX 19080
						100			EX 190100
						120			EX 190120
200	200.000 199.928	200.286 200.130	205	205.046 205.000		50			EX 20050
						60			EX 20060
						80			EX 20080



内径 Internal Diameter			外径 External Diameter			高度 Length	壁厚 Wall Thickness	油孔直径 Oil Hole-Φ H	型号 Part No
内径 d	装配轴径 Shaft-Φd _s	装配后内径 Φd _i	外径 D	装配座孔 Housing-ΦD _H	理论外径公差 O.D. ΦD _i	ID<80 L ± 0.25 ID>80 L ± 0.50	S		
200	200.000 199.928	200.286 200.130	205	205.046 205.000		80			EX 20080
						100			EX 200100
						120			EX 200120
220	220.000 219.928	220.286 220.130	225	225.046 225.000	+0.210 +0.130	50	2.435 2.380	9.5	EX 22050
						60			EX 22060
						80			EX 22080
						100			EX 220100
240	240.000 239.928	240.286 240.130	245	245.046 245.000		120			EX 220120
						50			EX 24050
						60			EX 24060
						80			EX 24080
250	250.000 249.928	250.292 250.130	255	255.052 255.000		100			EX 240100
						120			EX 240120
						50			EX 25050
						60			EX 25060
260	260.000 259.919	260.292 260.130	265	265.052 265.000		80			EX 25080
						100			EX 250100
						120			EX 250120
						50			EX 26050
280	280.000 279.919	280.292 280.130	285	285.052 285.000	+0.260 +0.170	60			EX 26060
						80			EX 26080
						100			EX 260100
						120			EX 260120
300	300.000 299.919	300.292 300.130	305	305.052 305.000		50			EX 28050
						60			EX 28060
						80			EX 28080
						100			EX 280100
									EX 280120
									EX 30050
									EX 30060
									EX 30080
									EX 300100
									EX 300120



5.11 EX 英制规格及公差
EX Inch Bushing Specification & Tolerance



内外倒角尺寸表
Inside and Outside Chamfers Unit mm

壁厚 Wall thickness	内倒角 ID Chamfer		外倒角 OD Chamfer	
	C _i	α	C _e	β
0.0315"	0.008"-0.024"	30°-45°	0.004"-0.012"	30°-45°
0.0471"	0.020"-0.040"	20°-30°	0.005"-0.025"	40°-55°
0.0627"-0.0928"	0.020"-0.040"	15°-25°	0.005"-0.025"	40°-50°

直套型号标注方式
Bushing Symbol

直套型号标注方式 Bushes Symbol	× ×	EX - □	× ×
直套内径 Bushing I. D.			
直套型号 Bushing Type			
直套高度 Bushing Length			

内径 Internal Diameter			外径 External Diameter		高度 Width	壁厚 Wall Thickness	油孔直径 Oil Hole-Φ H	型号 Part No
内径 d	装配轴径 Shaft-Φd _s	供货内径 Φd _i	外径 D	装配座孔 D _H	L ± 0.01"	S		
3/8	0.3648 0.3639	0.3694 0.3667	15/32	0.4694 0.4687	0.375	0.0510 0.0500	5/32	06 EX 06
					0.500			06 EX 08
					0.750			06 EX 12
7/16	0.4273 0.4263	0.4319 0.4292	17/32	0.5319 0.5312	0.500			07 EX 08
					0.750			07 EX 12
1/2	0.4897 0.4887	0.4944 0.4917	19/32	0.5944 0.5937	0.375			08 EX 06
					0.500			08 EX 08
					0.625			08 EX 10
					0.875			08 EX 14
9/16	0.5522 0.5512	0.5569 0.5542	21/32	0.6569 0.6562	0.500			09 EX 08
					0.750			09 EX 12
5/8	0.6146 0.6136	0.6195 0.6167	23/32	0.7195 0.7187	0.500			10 EX 08
					0.625	10 EX 10		
					0.750	10 EX 12		
3/4	0.7390 0.7378	0.7444 0.7412	7/8	0.8758 0.8750	0.875	10 EX 14		
					0.500	12 EX 08		
					0.750	12 EX 12		
					1.000	0.0669 0.0657		12 EX 16



内径 Internal Diameter			外径 External Diameter		高度 Width	壁厚 Wall Thickness	油孔直径 Oil Hole-Φ H	型号 Part No
内径 d	装配轴径 Shaft-Φd _s	供货内径 Φd _i	外径 D	装配座孔 D _H	L ± 0.01"	S		
7/8	0.8639 0.8627	0.8694 0.8662	1	1.0008 1.0000	0.750	0.0669 0.0657	1/4	14 EX 12
					0.755			14 EX 14
					1			14 EX 16
1	0.9888 0.9876	0.9944 0.9912	1 1/8	1.1258 1.1250	0.750	16 EX 12		
					1	16 EX 16		
					1.500	16 EX 24		
1 1/8	1.1138 1.1126	1.1202 1.1164	1 9/32	1.2822 1.2812	0.750	18 EX 12		
					1	18 EX 16		
1 1/4	1.2387 1.2371	1.2452 1.2414	1 13/32	1.4072 1.4062	0.750	20 EX 12		
					1	20 EX 16		
					1.250	20 EX 20		
					1.750	20 EX 28		
1 3/8	1.3635 1.3619	1.3702 1.3664	1 17/32	1.5322 1.5312	1	22 EX 16		
					1.375	22 EX 22		
					1.750	22 EX 28		
1 1/2	1.4884 1.4868	1.4952 1.4914	1 21/32	1.6572 1.6562	1	24 EX 16		
					1.250	24 EX 20		
					1.500	24 EX 24		
					2	24 EX 32		
1 5/8	1.6133 1.6117	1.6202 1.6164	1 25/32	1.7822 1.7812	1	26 EX 16		
					1.500	26 EX 24		
1 3/4	1.7383 1.7367	1.7461 1.7415	1 15/16	1.9385 1.9375	1	28 EX 16		
					1.500	28 EX 24		
					1.750	28 EX 28		
					2	28 EX 32		
1 7/8	1.8632 1.8616	1.8713 1.8665	2 1/16	2.0637 2.0625	1.500	30 EX 16		
					1.875	30 EX 30		
					2.250	30 EX 36		
2	1.9881 1.9863	1.9963 1.9915	1 3/16	2.1887 2.1875	1	32 EX 16		
					1.500	32 EX 24		
					2	32 EX 32		
					2.500	32 EX 40		



内径 Internal Diameter			外径 External Diameter		高度 Width	壁厚 Wall Thickness	油孔直径 Oil Hole-Φ H	型号 Part No	
内径 d	装配轴径 Shaft-Φd _s	供货内径 Φd _i	外径 D	装配座孔 D _H	L ± 0.01"	S			
2 ¹ / ₄	2.2378 2.2360	2.2463 2.2415	2 ⁷ / ₁₆	2.4387 2.4375	2.010	0.0980 0.0962	5 ⁵ / ₁₆	36 EX 32	
					1.990			36 EX 36	
					2.260			36 EX 40	
2.240	40 EX 32								
2 ¹ / ₂	2.4875 2.4857	2.4963 2.4915	2 ¹¹ / ₁₆	2.6887 2.6875	2.510			40 EX 40	
					2.490			44 EX 32	
2 ³ / ₄	2.7351 2.7333	2.7457 2.7393	2 ¹⁵ / ₁₆	2.9387 2.9375	2.010			0.0991 0.0965	44 EX 40
					1.990				44 EX 48
					2.510				44 EX 56
					2.490	48 EX 32			
3	2.9849 2.9831	2.9959 2.9893	3 ³ / ₁₆	3.1889 3.1875	3.010	48 EX 48			
					2.990	48 EX 60			
					3.760	56 EX 40			
3 ¹ / ₂	3.4844 3.4822	3.4959 3.4893	3 ¹¹ / ₁₆	3.6889 3.6875	3.740	56 EX 48			
					2.510	56 EX 60			
					2.490	64 EX 48			
4	3.9839 3.9817	3.9959 3.9893	4 ³ / ₁₆	4.1889 4.1875	3.010	64 EX 60			
					2.990	64 EX 76			
					3.760				
					3.740				
					4.760				
					4.740				