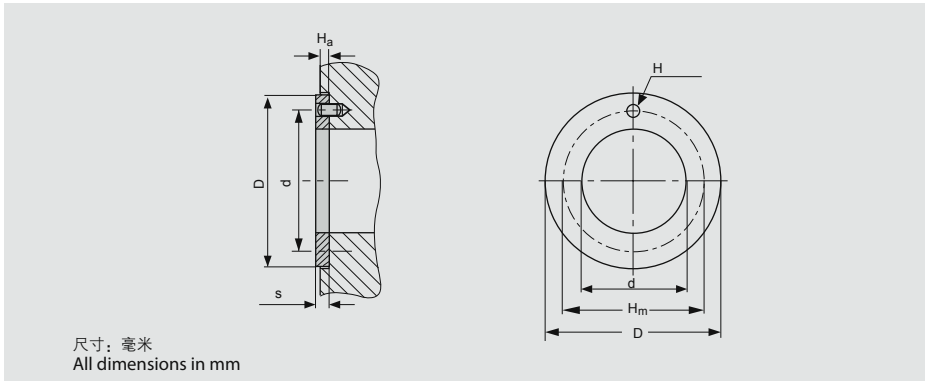




5.3 EU 垫片规格及公差 EU Thrust washer Specification & Tolerance



垫片型号标注方式

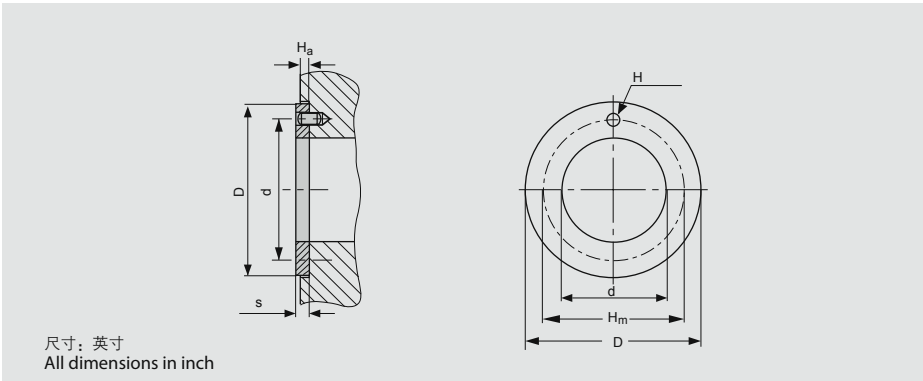
Washer Symbol

垫片型号标注方式 Washer Symbol	WC	× ×	EU - □
垫片 Washer			
垫片内径 Washer I.D.			
垫片型号 Washer Type			

内孔 Internal Diameter Φ d		外径 External Diameter Φ D		壁厚 Thickness s	定位孔大小 Dowel Hole Φ H	定位孔中心距 Dowel Hole PCD Φ H _m	装配深度 Recess Depth H _a	型号 Part No
min	max	min.	max.	max. min.	max. min.	Φ ±0.125	max. min.	
10.00	10.25	19.75	20.00	1.50 1.40	无孔 No Hole	无孔 No Hole	1.20 0.80	WC 10 EU
12.00	12.25	23.75	24.00		1.90 1.60	18		WC 12 EU
14.00	14.25	25.75	26.00		2.40 2.10	20		WC 14 EU
16.00	16.25	29.75	30.00			22		WC 16 EU
18.00	18.25	31.75	32.00		3.40 3.10	25		WC 18 EU
20.00	20.25	35.75	36.00			28		WC 20 EU
22.00	22.25	37.75	38.00		4.40 4.10	30		WC 22 EU
24.00	24.25	41.75	42.00			33		WC 24 EU
26.00	26.25	43.75	44.00		2.00 1.95	35		WC 26 EU
28.00	28.25	47.75	48.00			38		WC 28 EU
32.00	32.25	53.75	54.00		1.70 1.30	43		WC 32 EU
38.00	38.25	61.75	62.00			50		WC 38 EU
42.00	42.25	65.75	66.00		76	54		WC 42 EU
48.00	48.25	73.75	74.00			61		WC 48 EU
52.00	52.25	77.75	78.00		65	WC 52 EU		
62.00	62.25	89.75	90.00		76	WC 62 EU		



5.7 EU 英制垫片规格及公差 EU Inch Thrust Washer Specification & Tolerance



垫片型号标注方式

Washer Symbol

垫片型号标注方式 Washer Symbol	EU - □	WC	× ×
垫片型号 Washer Type			
垫片 Washer			
垫片内径 Washer I.D.			

内径 Internal Diameter d		外径 External Diameter D		壁厚 Thickness s	定位孔中心 Dowel Hole PCD-Φ $H_m \pm 0.12$	定位孔直径 Dowel Hole-Φ H	Recess Depth H_a	型号 Part No
min.	max.	min.	max.	max. min.	max. min.	$\pm 0.005"$	max. min.	
0.510	0.500	0.865	0.875	0.063 0.061	0.077 0.067	0.6870	0.050 0.040	EU 06
0.572	0.562	0.990	1.000			0.7810		EU 07
0.635	0.625	1.115	1.125		0.109 0.099	0.8750		EU 08
0.697	0.687	1.177	1.187			0.9370		EU 09
0.760	0.750	1.240	1.250			1.0000		EU 10
0.822	0.812	1.365	1.375			1.0940		EU 11
0.885	0.875	1.490	1.500			1.1870		EU 12
1.010	1.000	1.740	1.750			1.3750		EU 14
1.135	1.125	1.990	2.000		0.171 0.161	1.5620		EU 16
1.260	1.250	2.115	2.125			1.6870		EU 18
1.385	1.375	2.240	2.250			1.8020		EU 20
1.510	1.500	2.490	2.500			2.0000		EU 22
1.635	1.625	2.615	2.625			2.1250		EU 24
1.760	1.750	2.740	2.750			2.2500		EU 26
2.010	2.000	2.990	3.000	0.202 0.192	2.5000	0.080 0.070	EU 28	
2.135	2.125	3.115	3.125		2.6250		EU 30	
2.260	2.250	3.240	3.250		2.7500		EU 32	