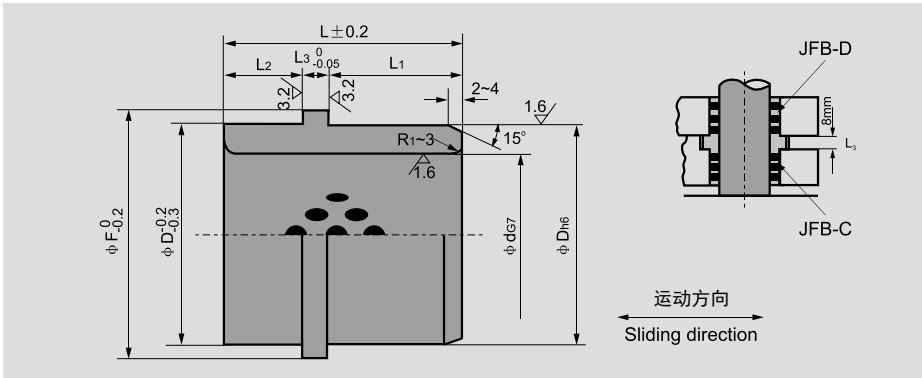




## EB65.06 自润导向套 EB65.06 Guide Ejector Bushings



型号 Part No	φ d G7	φ D h6	φ F	L	L <sub>1</sub>	L <sub>2</sub>	L <sub>3</sub>
EB65.06-C-10 × 24	10	16	21	24	10	10	4
EB65.06-C-10 × 28				28	14		
EB65.06-C-12 × 26	12	18	25	26	12	10	4
EB65.06-C-12 × 28				28	14		
EB65.06-C-13 × 26	13	22	25	26	12	10	4
EB65.06-C-13 × 28				28	14		
EB65.06-C-13 × 33				33	18		
EB65.06-C-13 × 38				38	24		
EB65.06-C-16 × 26	16	25	30	26	12	10	4
EB65.06-C-16 × 28				28	14		
EB65.06-C-16 × 33				33	19		
EB65.06-C-16 × 38	20	30	35	38	24	10	4
EB65.06-C-20 × 26				26	12		
EB65.06-C-20 × 28				28	14		
EB65.06-C-20 × 33				33	19		
EB65.06-C-20 × 38	25	35	40	38	24	10	4
EB65.06-C-25 × 26				26	12		
EB65.06-C-25 × 28				28	14		
EB65.06-C-25 × 33				33	19		
EB65.06-C-25 × 38	30	40	45	38	19	15	4
EB65.06-C-30 × 33				33	14		
EB65.06-C-30 × 38				43	24		
EB65.06-C-30 × 43				43	24		
EB65.06-C-32 × 38	32	42	47	38	19	15	4
EB65.06-C-32 × 43				43	24		
EB65.06-C-32 × 48				48	29		
EB65.06-C-35 × 38	35	46	50	38	19	20	4
EB65.06-C-35 × 43				43	24		
EB65.06-C-35 × 48				48	29		
EB65.06-C-40 × 48	40	52	57	48	24	20	4
EB65.06-C-40 × 53				53	29		
EB65.06-C-50 × 48	50	62	67	48	24	20	4
EB65.06-C-50 × 53				53	29		

型号 Part No	φ d G7	φ D h6	φ F	L	L <sub>1</sub>	L <sub>2</sub>	L <sub>3</sub>
EB65.06-D-K-30 × 37	30	42	47	37	14	15	8
EB65.06-D-K-30 × 42				42	19		
EB65.06-D-K-30 × 47				47	24		
EB65.06-D-K-30 × 52	40	55	60	52	29	25	8
EB65.06-D-K-40 × 53				53	20		
EB65.06-D-K-40 × 57				57	24		
EB65.06-D-K-40 × 60				60	32		
EB65.06-D-K-40 × 67	50	62	67	67	29	30	8
EB65.06-D-K-40 × 70				70	42		
EB65.06-D-K-50 × 67				67	29		
EB65.06-D-K-50 × 87	60	74	82	87	39	40	8
EB65.06-D-K-60 × 67				67	29		
EB65.06-D-K-60 × 87				87	39		