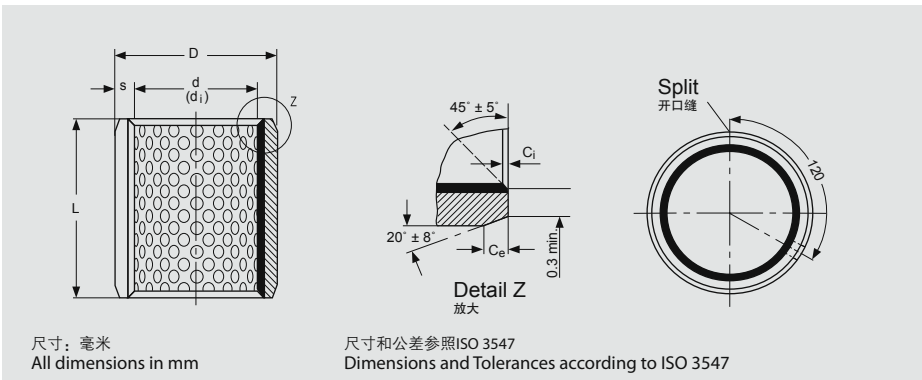




**5.14 E90/E92 直套规格及公差**  
**E90/E92 Sleeve Bushing Specification & Tolerance**



**内外倒角尺寸表**  
**Inside & Outside Chamfers**

壁厚 Wall thickness S	内倒角 Inside Chamfer C <sub>i</sub>	外倒角 Outside Chamfer C <sub>o</sub>
1.00	0.30 ± 0.20	0.60 ± 0.40
1.50	0.40 ± 0.30	0.60 ± 0.40
2.00	0.40 ± 0.30	1.20 ± 0.40
2.50	0.60 ± 0.40	1.80 ± 0.60

**直套型号标注方式**  
**Bushing Symbol**

直套型号标注方式 Bushing Symbol	E9 - □	× ×	× ×
直套型号 Bushing Type			
直套内径 Bushing I. D.			
直套高度 Bushing Length			

内径 Internal Diameter			外径 External Diameter			高度 Length	型号 Part No
内径 d	装配轴径 Shaft- Φ D <sub>s</sub>	装配后内孔尺寸 Φ d <sub>i</sub> (H9)	外径 D	装配座孔 Housing- Φ D <sub>H</sub>	理论外径公差 O.D. Φ D <sub>i</sub>	ID < 80 L ± 0.25 ID > 80 L ± 0.50	
10	9.984 9.957	10.043 10.000	12	12.018 12.000	+0.065 +0.030	10	E90/E92 1010
						15	E90/E92 1015
						20	E90/E92 1020
12	11.984 11.957	12.043 12.000	14	14.018 14.000		10	E90/E92 1210
						15	E90/E92 1215
						20	E90/E92 1220
14	13.984 13.957	14.043 14.000	16	16.018 16.000		10	E90/E92 1410
						15	E90/E92 1415
						20	E90/E92 1420
15	14.984 14.957	15.043 15.000	17	17.018 17.000		25	E90/E92 1425
						10	E90/E92 1510
						15	E90/E92 1515
16	15.984 15.957	16.043 16.000	18	18.018 18.000	20	E90/E92 1520	
					25	E90/E92 1525	
					10	E90/E92 1610	
						15	E90/E92 1615
						20	E90/E92 1620
						25	E90/E92 1625



内径 Internal Diameter			外径 External Diameter			高度 Length	型号 Part No
内径 d	装配轴径 Shaft- $\Phi d_s$	装配后内孔尺寸 $\Phi d_i$ (H9)	外径 D	装配座孔 Housing- $\Phi D_H$	理论外径公差 O.D. $\Phi D_i$	ID<80 L $\pm$ 0.25 ID>80 L $\pm$ 0.50	
18	17.984 17.957	18.043 18.000	20	20.018 20.000	+0.065 +0.030	10	E90/E92 1810
						15	E90/E92 1815
						20	E90/E92 1820
						25	E90/E92 1825
20	19.980 19.947	20.052 20.000	23	23.021 23.000		10	E90/E92 2010
						15	E90/E92 2015
						20	E90/E92 2020
						25	E90/E92 2025
22	21.980 21.947	22.052 22.000	25	25.021 25.000		10	E90/E92 2210
						15	E90/E92 2215
						20	E90/E92 2220
						25	E90/E92 2225
24	23.980 23.947	24.052 24.000	27	27.021 27.000		30	E90/E92 2230
						15	E90/E92 2415
						20	E90/E92 2420
						25	E90/E92 2425
25	24.980 24.947	25.052 25.000	28	28.021 28.000	+0.075 +0.035	30	E90/E92 2430
						15	E90/E92 2515
						20	E90/E92 2520
						25	E90/E92 2525
28	27.980 27.947	28.052 28.000	32	32.021 32.000		30	E90/E92 2530
						15	E90/E92 2815
						20	E90/E92 2820
						25	E90/E92 2825
30	29.980 29.947	30.052 30.000	34	34.021 34.000		30	E90/E92 2830
						15	E90/E92 3015
						20	E90/E92 3020
						25	E90/E92 3025
32	31.975 31.936	32.062 32.000	36	36.025 36.000	+0.085 +0.045	30	E90/E92 3030
						35	E90/E92 3035
						40	E90/E92 3040
						15	E90/E92 3215
						20	E90/E92 3220
						25	E90/E92 3225
						30	E90/E92 3230



内径 Internal Diameter			外径 External Diameter			高度 Length	型号 Part No
内径 d	装配轴径 Shaft- $\Phi d_s$	装配后内孔尺寸 $\Phi d_i$ (H9)	外径 D	装配座孔 Housing- $\Phi D_H$	理论外径公差 O.D. $\Phi D_t$	ID<80 L $\pm$ 0.25 ID>80 L $\pm$ 0.50	
32	31.975 31.936	32.062 32.000	36	36.025 36.000		35	E90/E92 3235
						40	E90/E92 3240
						50	E90/E92 3250
35	34.975 34.936	35.062 35.000	39	39.025 39.000		15	E90/E92 3515
						20	E90/E92 3525
						25	E90/E92 3525
						30	E90/E92 3530
						35	E90/E92 3535
						40	E90/E92 3540
						20	E90/E92 4020
40	39.975 39.936	40.062 40.000	44	44.025 44.000		25	E90/E92 4025
						30	E90/E92 4030
						35	E90/E92 4035
						40	E90/E92 4040
						50	E90/E92 4050
45	44.975 44.936	45.062 45.000	50	50.025 50.000		20	E90/E92 4520
						25	E90/E92 4525
						30	E90/E92 4530
						35	E90/E92 4535
						40	E90/E92 4540
						50	E90/E92 4550
						20	E90/E92 5020
50	49.975 49.936	50.062 50.000	55	55.025 55.000		25	E90/E92 5025
						30	E90/E92 5030
						35	E90/E92 5035
						40	E90/E92 5040
						50	E90/E92 5050
						60	E90/E92 5060
						20	E90/E92 5520
55	54.970 54.924	55.074 55.000	60	60.030 60.000	+0.100 +0.055	25	E90/E92 5525
						30	E90/E92 5530
						35	E90/E92 5535
						40	E90/E92 5540
						50	E90/E92 5550
						60	E90/E92 5560



内径 Internal Diameter			外径 External Diameter			高度 Length	型号 Part No
内径 d	装配轴径 Shaft- $\Phi d_s$	装配后内孔尺寸 $\Phi d_i$ (H9)	外径 D	装配座孔 Housing- $\Phi D_H$	理论外径公差 O.D. $\Phi D_i$	ID<80 L $\pm$ 0.25 ID>80 L $\pm$ 0.50	
60	59.970 59.924	60.074 60.000	65	65.030 65.000		25	E90/E92 6025
						30	E90/E92 6030
						35	E90/E92 6035
						40	E90/E92 6040
						50	E90/E92 6050
						60	E90/E92 6060
						70	E90/E92 6070
65	64.970 64.924	65.074 65.000	70	70.030 70.000		30	E90/E92 6530
						35	E90/E92 6535
						40	E90/E92 6540
						50	E90/E92 6550
						60	E90/E92 6560
						70	E90/E92 6570
						80	E90/E92 6580
70	69.970 69.924	70.074 70.000	75	75.030 75.000	+0.100 +0.055	30	E90/E92 7030
						35	E90/E92 7035
						40	E90/E92 7040
						50	E90/E92 7050
						60	E90/E92 7060
						70	E90/E92 7070
						80	E90/E92 7080
75	74.970 74.924	75.074 75.000	80	80.030 80.000		30	E90/E92 7530
						35	E90/E92 7535
						40	E90/E92 7540
						50	E90/E92 7550
						60	E90/E92 7560
						70	E90/E92 7570
						80	E90/E92 7580
80	79.970 79.924	80.074 80.000	85	85.030 85.000		30	E90/E92 8030
						35	E90/E92 8035
						40	E90/E92 8040
						50	E90/E92 8040
						60	E90/E92 8060
						70	E90/E92 8070
						80	E90/E92 8080



内径 Internal Diameter			外径 External Diameter			高度 Length	型号 Part No
内径 d	装配轴径 Shaft- $\Phi d_s$	装配后内孔尺寸 $\Phi d_i$ (H9)	外径 D	装配座孔 Housing- $\Phi D_H$	理论外径公差 O.D. $\Phi D_t$	ID<80 L $\pm$ 0.25	
						ID>80 L $\pm$ 0.50	
85	84.964 84.910	85.087 85.000	90	90.035 90.000		30	E90/E92 8530
						35	E90/E92 8535
						40	E90/E92 8540
						50	E90/E92 8550
						60	E90/E92 8560
						70	E90/E92 8570
						80	E90/E92 8580
						90	E90/E92 8590
90	89.964 89.910	90.087 90.000	95	95.035 95.000		30	E90/E92 9030
						35	E90/E92 9035
						40	E90/E92 9040
						50	E90/E92 9050
						60	E90/E92 9060
						70	E90/E92 9070
						80	E90/E92 9080
						90	E90/E92 9090
95	94.964 94.910	95.087 95.000	100	100.035 100.000	+0.120 +0.070	40	E90/E92 9540
						50	E90/E92 9550
						60	E90/E92 9560
						70	E90/E92 9570
						80	E90/E92 9580
						90	E90/E92 9590
						100	E90/E92 95100
						100	99.964 99.910
60	E90/E92 10060						
70	E90/E92 10070						
80	E90/E92 10080						
90	E90/E92 10090						
100	E90/E92 100100						
105	104.964 104.910	105.087 105.000	110	110.035 110.000		50	E90/E92 10550
						60	E90/E92 10560
						70	E90/E92 10570
						80	E90/E92 10580
						90	E90/E92 10590
						100	E90/E92 105100



内径 Internal Diameter			外径 External Diameter			高度 Length	型号 Part No
内径 d	装配轴径 Shaft- $\Phi d_s$	装配后内孔尺寸 $\Phi d_i$ (H9)	外径 D	装配座孔 Housing- $\Phi D_H$	理论外径公差 O.D. $\Phi D_i$	ID<80 L $\pm$ 0.25 ID>80 L $\pm$ 0.50	
110	109.964 109.910	110.087 110.000	115	115.035 115.000		50	E90/E92 11050
						60	E90/E92 11060
						70	E90/E92 11070
						80	E90/E92 11080
						90	E90/E92 11090
						100	E90/E92 110100
115	114.964 114.910	115.087 115.000	120	120.035 120.000	+0.120 +0.070	50	E90/E92 11550
						60	E90/E92 11560
						70	E90/E92 11570
						80	E90/E92 11580
						90	E90/E92 11590
						100	E90/E92 115100
120	119.964 119.910	120.087 120.000	125	125.035 125.000		60	E90/E92 12060
						70	E90/E92 12070
						80	E90/E92 12080
						90	E90/E92 12090
						100	E90/E92 120100
						125	124.957 124.894
70	E90/E92 12570						
80	E90/E92 12580						
90	E90/E92 12590						
100	E90/E92 125100						
130	129.957 129.894	130.100 130.000	135	135.040 135.000	+0.170 +0.100		
						70	E90/E92 13070
						80	E90/E92 13080
						90	E90/E92 13090
						100	E90/E92 130100
						135	134.957 134.894
70	E90/E92 13570						
80	E90/E92 13580						
90	E90/E92 13590						
100	E90/E92 135100						
140	139.957 139.894	140.100 140.000	145	145.040 145.000			
						70	E90/E92 14070
						80	E90/E92 14080



内径 Internal Diameter			外径 External Diameter			高度 Length	型号 Part No
内径 d	装配轴径 Shaft- $\Phi d_s$	装配后内孔尺寸 $\Phi d_i$ (H9)	外径 D	装配座孔 Housing- $\Phi D_H$	理论外径公差 O.D. $\Phi D_t$	ID<80 L $\pm$ 0.25 ID>80 L $\pm$ 0.50	
140	139.957 139.894	140.100 140.000	145	145.040 145.000		90	E90/E92 14090
						95	E90/E92 14095
						100	E90/E92 140100
145	144.957 144.894	145.100 145.000	150	150.040 150.000		60	E90/E92 14560
						70	E90/E92 14570
						80	E90/E92 14580
						90	E90/E92 14590
						100	E90/E92 145100
150	149.957 149.894	150.100 150.000	155	155.040 155.000		60	E90/E92 15060
						70	E90/E92 15070
						80	E90/E92 15080
						90	E90/E92 15090
						100	E90/E92 150100
155	154.957 154.894	155.100 155.000	160	160.040 160.000		60	E90/E92 15560
						70	E90/E92 15570
						80	E90/E92 15580
						90	E90/E92 15590
						100	E90/E92 155100
160	159.957 159.894	160.100 160.000	165	165.040 165.000		60	E90/E92 16060
						70	E90/E92 16070
						80	E90/E92 16080
						90	E90/E92 16090
						100	E90/E92 160100
165	164.957 164.894	165.100 165.000	170	170.040 170.000		60	E90/E92 16560
						70	E90/E92 16570
						80	E90/E92 16580
						90	E90/E92 16590
						100	E90/E92 165100
170	169.957 169.894	170.100 170.000	175	175.040 175.000		60	E90/E92 17060
						70	E90/E92 17070
						80	E90/E92 17080
						90	E90/E92 17090
						100	E90/E92 170100
175	174.957 174.894	175.100 175.000	180	180.040 180.000		60	E90/E92 17560
						70	E90/E92 17570



内径 Internal Diameter			外径 External Diameter			高度 Length	型号 Part No
内径 d	装配轴径 Shaft- $\Phi d_s$	装配后内孔尺寸 $\Phi d_i$ (H9)	外径 D	装配座孔 Housing- $\Phi D_H$	理论外径公差 O.D. $\Phi D_t$	ID<80 L $\pm$ 0.25 ID>80 L $\pm$ 0.50	
175	174.957 174.894	175.100 175.000	180	180.040 180.000		80	E90/E92 17580
						85	E90/E92 17585
						90	E90/E92 17590
						100	E90/E92 175100
180	179.957 179.894	180.100 180.000	185	185.040 185.000	+0.170 +0.100	60	E90/E92 18060
						70	E90/E92 18070
						80	E90/E92 18080
						90	E90/E92 18090
						100	E90/E92 180100
185	184.950 184.878	185.115 185.000	190	190.046 190.000		60	E90/E92 18560
						65	E90/E92 18565
						70	E90/E92 18570
						80	E90/E92 18580
						90	E90/E92 18590
190	189.950 189.878	190.115 190.000	195	195.046 195.000		100	E90/E92 185100
						60	E90/E92 19060
						70	E90/E92 19070
						80	E90/E92 19080
						90	E90/E92 19090
195	194.950 194.878	195.115 195.000	200	200.046 200.000	+0.210 +0.130	100	E90/E92 190100
						60	E90/E92 19560
						70	E90/E92 19570
						80	E90/E92 19580
						90	E90/E92 19590
200	199.950 199.878	200.115 200.000	205	205.046 205.000		100	E90/E92 195100
						60	E90/E92 20060
						70	E90/E92 20070
						80	E90/E92 20080
						90	E90/E92 20090
205	204.950 204.878	205.115 205.000	210	210.046 210.000		100	E90/E92 200100
						60	E90/E92 20560
						70	E90/E92 20570
						80	E90/E92 20580
						90	E90/E92 20590
						100	E90/E92 205100





内径 Internal Diameter			外径 External Diameter			高度 Length	型号 Part No
内径 d	装配轴径 Shaft- $\Phi d_s$	装配后内孔尺寸 $\Phi d_i$ (H9)	外径 D	装配座孔 Housing- $\Phi D_H$	理论外径公差 O.D. $\Phi D_t$	ID<80 L $\pm$ 0.25 ID>80 L $\pm$ 0.50	
215	214.950 214.878	215.115 215.000	220	220.046 220.000		60	E90/E92 21560
						70	E90/E92 21570
						80	E90/E92 21580
						90	E90/E92 21590
						100	E90/E92 215100
225	224.950 224.878	225.115 225.000	230	230.046 230.000		60	E90/E92 22560
						70	E90/E92 22570
						80	E90/E92 22580
						90	E90/E92 22590
						100	E90/E92 225100
230	229.950 229.878	230.115 230.000	235	235.046 235.000	+0.210 +0.130	60	E90/E92 23060
						70	E90/E92 23070
						80	E90/E92 23080
						90	E90/E92 23090
						100	E90/E92 230100
240	239.950 239.878	240.115 240.000	245	245.046 245.000		60	E90/E92 24060
						70	E90/E92 24070
						80	E90/E92 24080
						90	E90/E92 24090
						100	E90/E92 240100
250	249.950 249.878	250.115 250.000	255	255.046 255.000		60	E90/E92 25060
						70	E90/E92 25070
						80	E90/E92 25080
						90	E90/E92 25090
						100	E90/E92 250100
260	259.944 259.863	260.130 260.000	265	265.052 265.000		60	E90/E92 26060
						70	E90/E92 26070
						80	E90/E92 26080
						90	E90/E92 26090
						100	E90/E92 260100
270	269.944 269.863	270.130 270.000	275	275.052 275.000	+0.260 +0.170	60	E90/E92 27060
						70	E90/E92 27070
						80	E90/E92 27080
						90	E90/E92 27090
						100	E90/E92 270100



内径 Internal Diameter			外径 External Diameter			高度 Length	型号 Part No
内径 d	装配轴径 Shaft- $\Phi d_s$	装配后内孔尺寸 $\Phi d_i$ (H9)	外径 D	装配座孔 Housing- $\Phi D_H$	理论外径公差 O.D. $\Phi D_t$	ID<80 L $\pm$ 0.25 ID>80 L $\pm$ 0.50	
280	279.944 279.863	280.130 280.000	285	285.052 285.000		60	E90/E92 28060
						70	E90/E92 28070
						80	E90/E92 28080
						90	E90/E92 28090
						100	E90/E92 280100
290	289.944 289.863	290.130 290.000	295	295.052 295.000	+0.260 +0.170	60	E90/E92 29060
						70	E90/E92 29070
						80	E90/E92 29080
						90	E90/E92 29090
						100	E90/E92 290100
300	299.944 289.863	300.130 300.000	305	305.052 305.000		60	E90/E92 30060
						70	E90/E92 30070
						80	E90/E92 30080
						90	E90/E92 30090
						100	E90/E92 300100